



Helmsman AW201 Watch Alarm



The Helmsman AW201 Watch Alarm serves two distinct functions on a marine vessel. In normal mode it operates as a watch-timer alerting the pilot periodically to ensure that full attention is maintained while at the helm. The AW201 also serves as an event counter that can keep count of pump-down cycles while the vessel is moored.

- **Simple, one button setup and control.**
- **Removable key-switch prevents tampering.**
- **Built-in 30 second grace period and alert tone prior to reset or alarm.**
- **Large, dimmable, LED display shows the countdown time remaining.**
- **Autopilot interlock output built in.**
- **Added benefit as a bilge-pump cycle counter.**



Specifications

Supply voltage: 9.0VDC to 40.0VDC (min. max. limits)

Power: < 1W @12VDC, <6W@40VDC

Relay contacts: Dry contacts N.O., Isolated from chassis. 2.0 Amp DC max.

Logic output: True is 5VDC, false is 0VDC. 510 Ohm source impedance.

Pump sensor input: 1000 Ohm input resistance via photodiode isolator. Operable at 5 to 32VDC.

Dimensions: When mounted on bracket 8.4" wide, 4.3" high, 2.5" deep

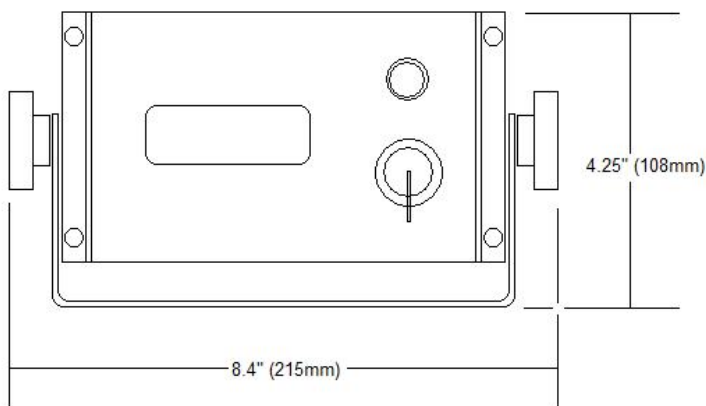
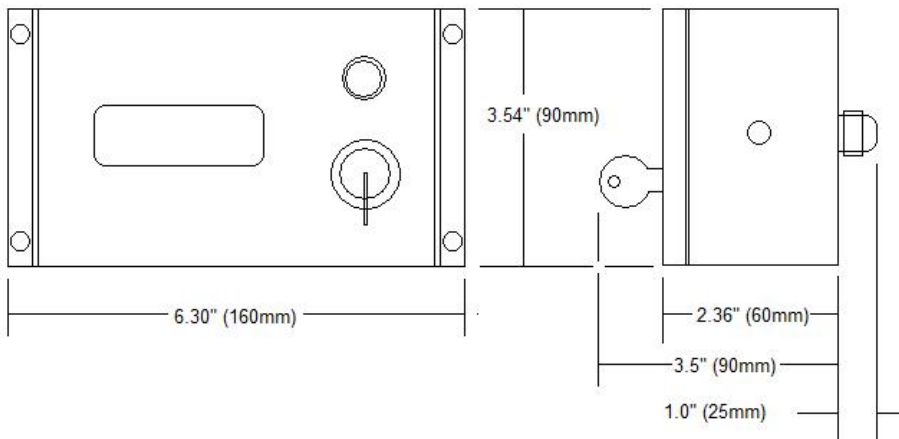
Weight: 1 lb. (.45 Kg)

Enclosure seal: IP53 equivalent, indoor use.

Materials exposed: Polycarbonate and ABS (enclosure), 304 Stainless steel.

Operating temp:-10 to 55 C

Mounting: Bracket yoke.



Contact Russell Thynes at 907-518-0341 or 2rainyisland@gmail.com
Helmsman is a registered trademark of Southeast Instruments LLC